



Assembly Instructions

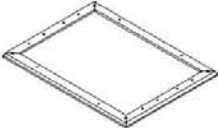



ITEM # LFY039-1 / LFY040-1 (Black, Cherry,)






Richland Coffee Table

PRE-ASSEMBLY PREPARATION:

Please check all contents of this package before attempting to assemble the product. A full checklist of components is provided. If any components are missing, please contact the retailer from whom you have purchased this product. Read the Assembly Instructions in full before you begin to assemble. Please use CAUTION AND CARE WHEN LIFTING the product to avoid personal injury and (or) damage to the product. For ease of assembly, two people are recommended. The hardware packet contains SMALL ITEMS which should be KEPT AWAY FROM CHILDREN.

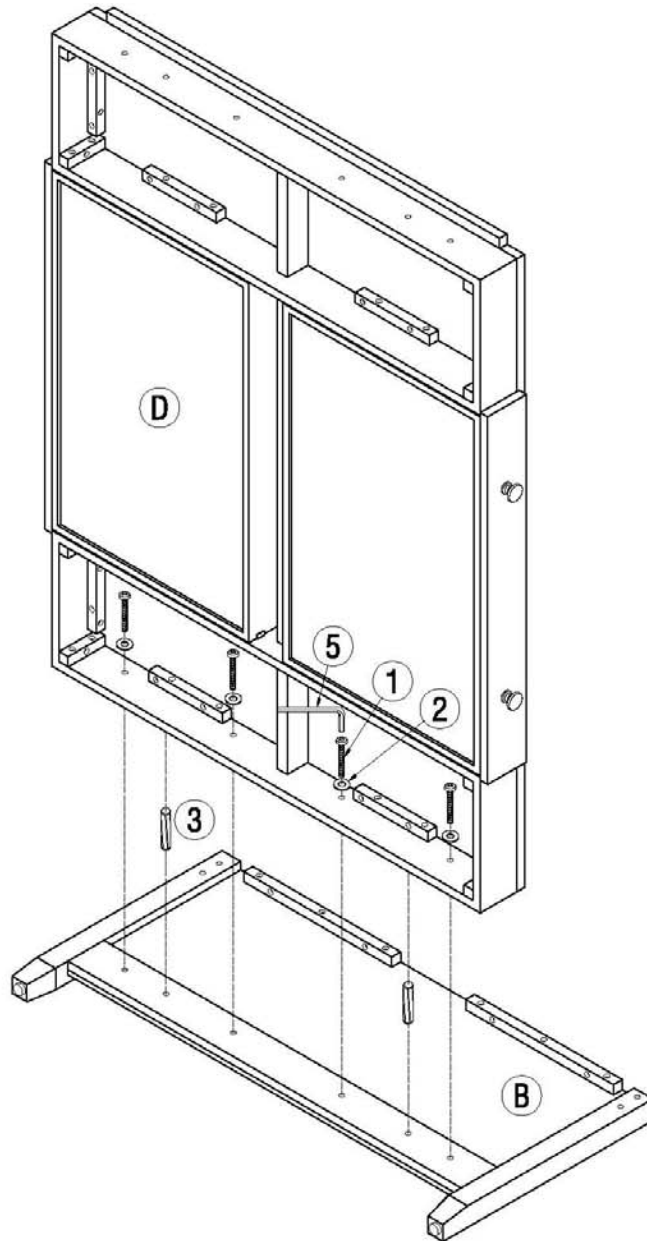
Hardware and Panel Identification List :

	PARTS	Q'TY
A		1PC
B		2PCS
C		2PCS
D		1PC

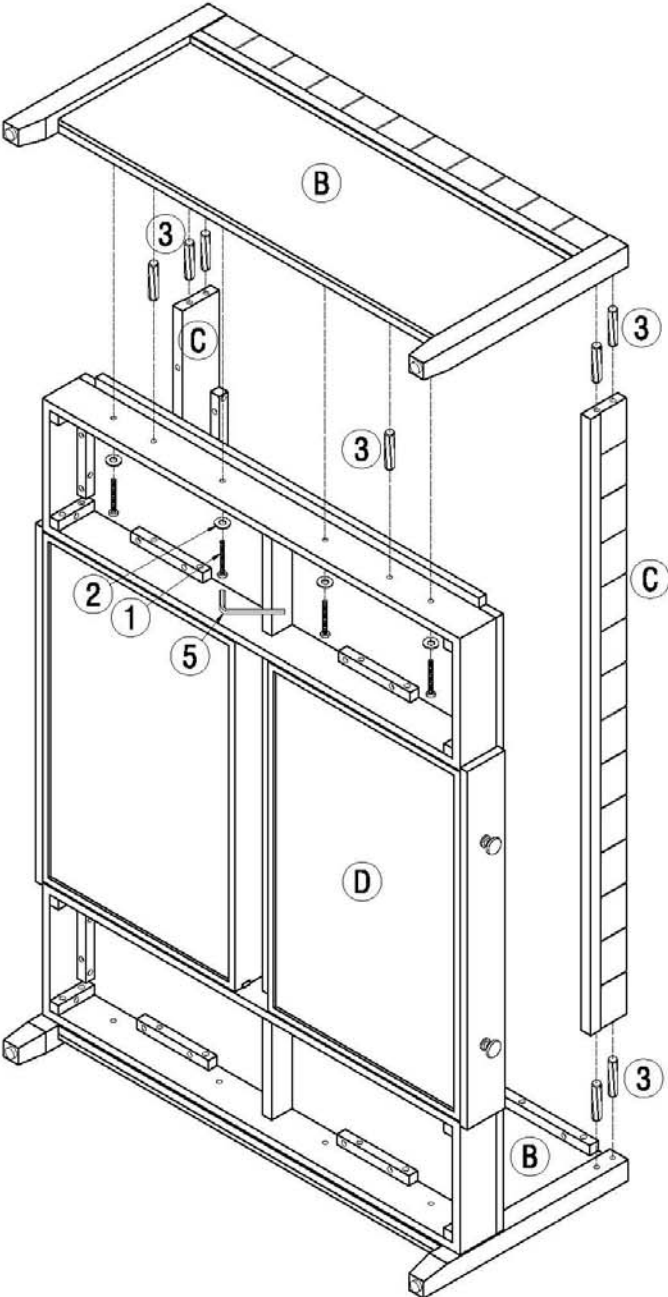
1		16PCS
2		16PCS
3		20PCS
4		8PCS
5		1PC

Step By Step Assembly Instructions

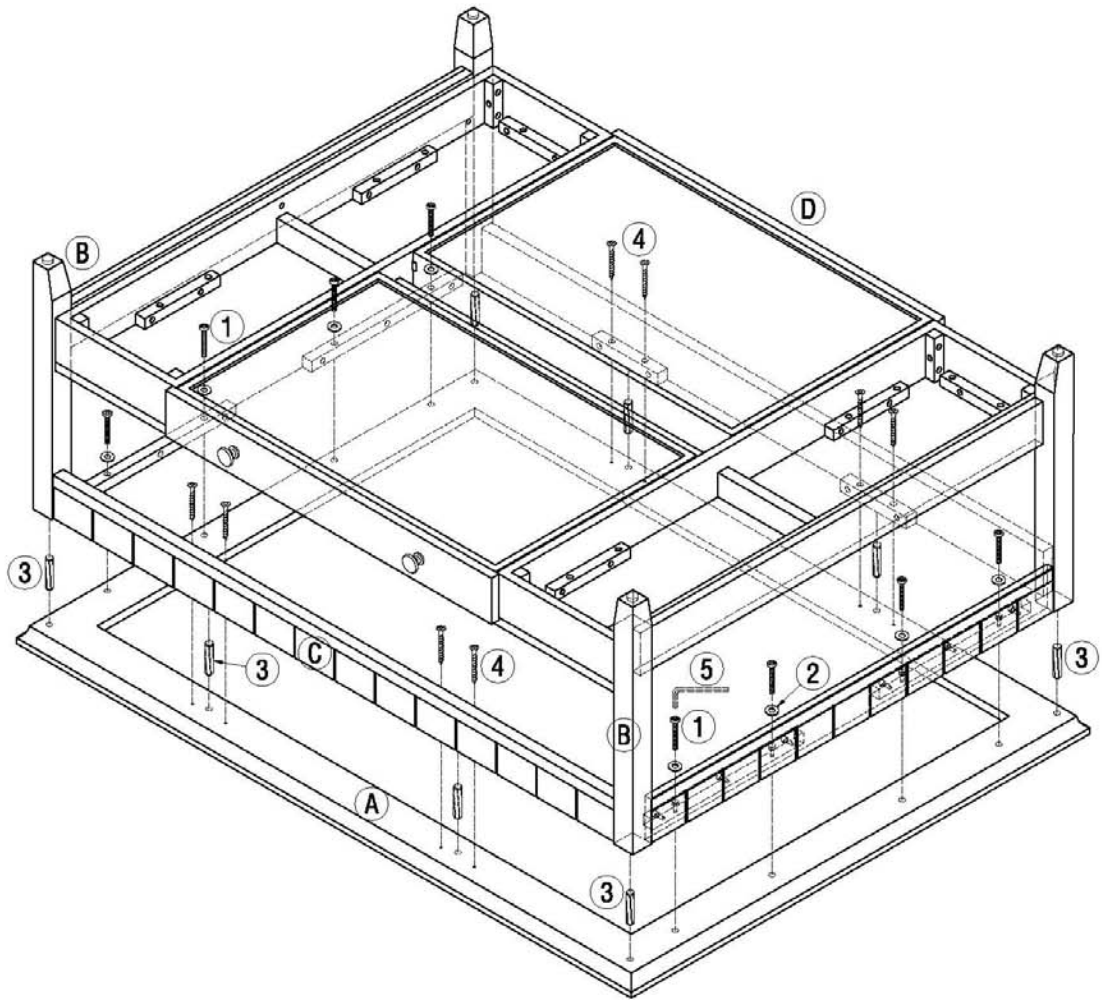
Step 1 :



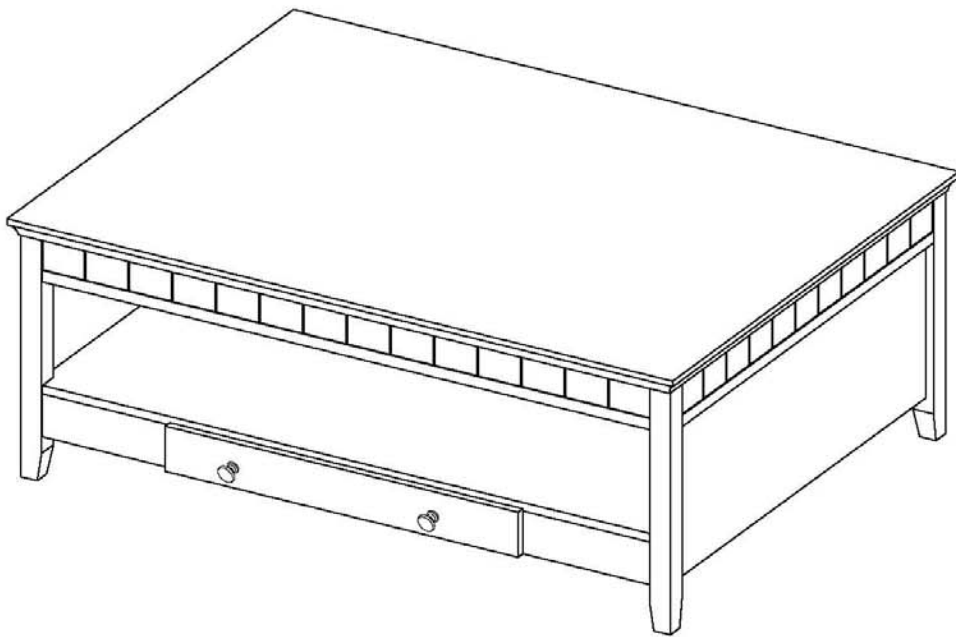
Step 2 :



Step 3 :



Step 4 :



Thank you for your Purchase.